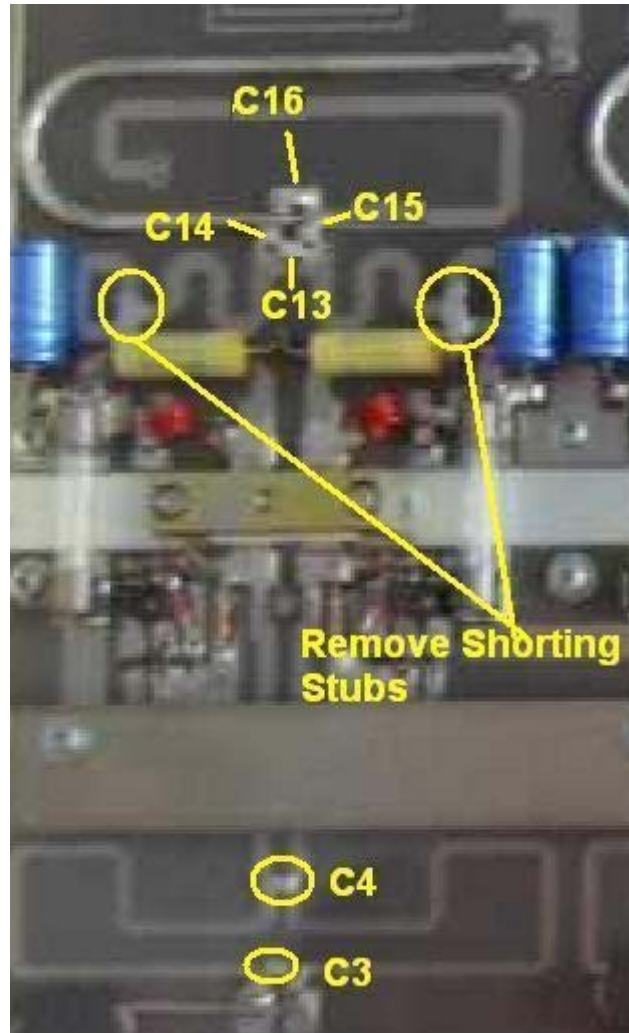


**Converting
a Larcac 1.5 KW VHF-LO band
power amplifier**

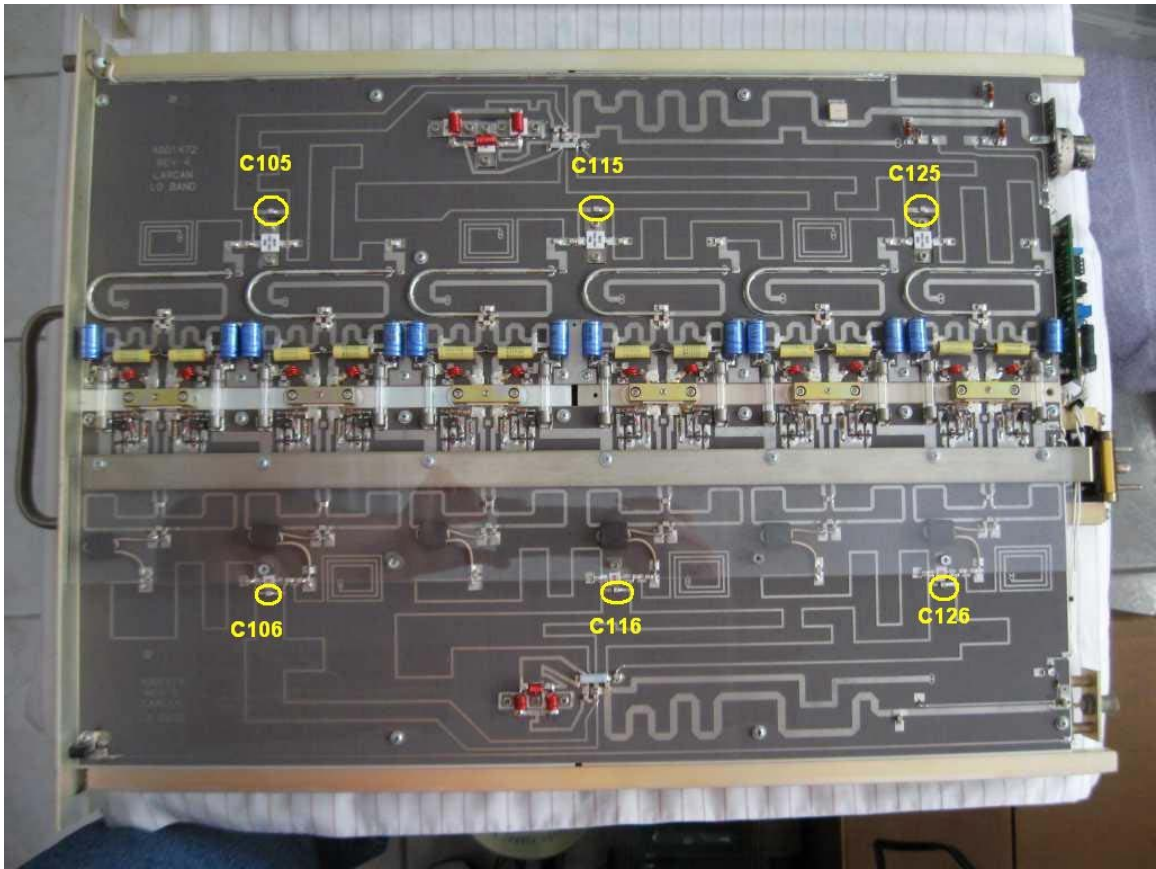
**“hi split” (channel 5/6) to a
“lo split” (channel 2/3/4)**

Revision 0 – 23 August 2014



There are six of these circuits, one for each transistor. For each group, remove the two shunting stubs and replace the capacitors according to this table:

C#	Current Value	Change to
C3	no change required	
C4	240pf	200pf
C13	82	75
C14	160	180
C15	160	180
C16	24	56
C13-C14 have a minimum 500V rating		



Finally, change all of these capacitors from 22pF to 33pF