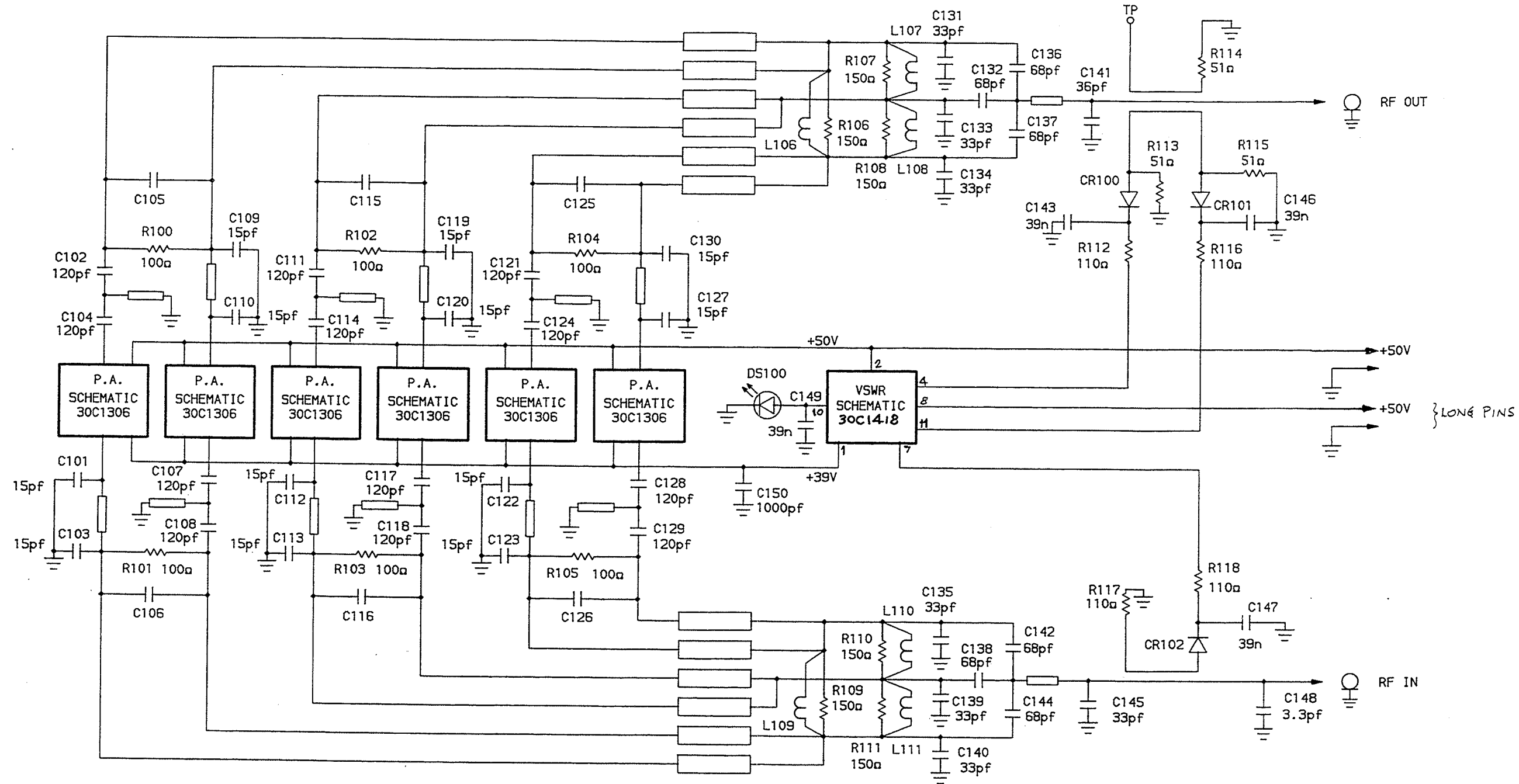
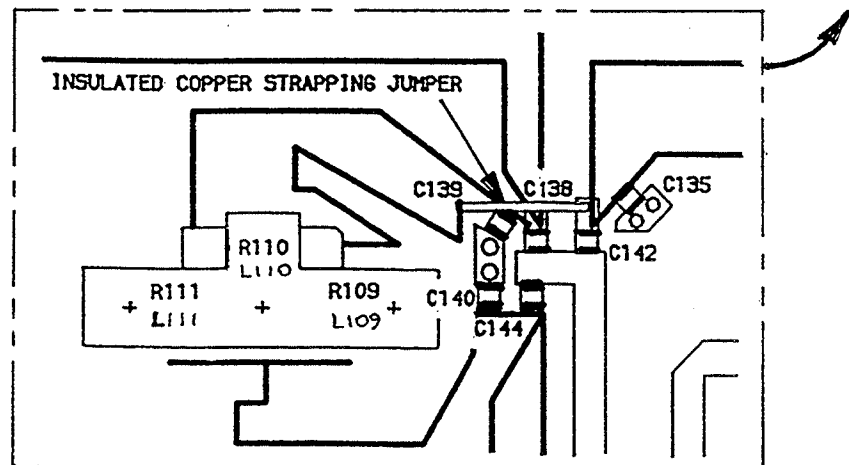
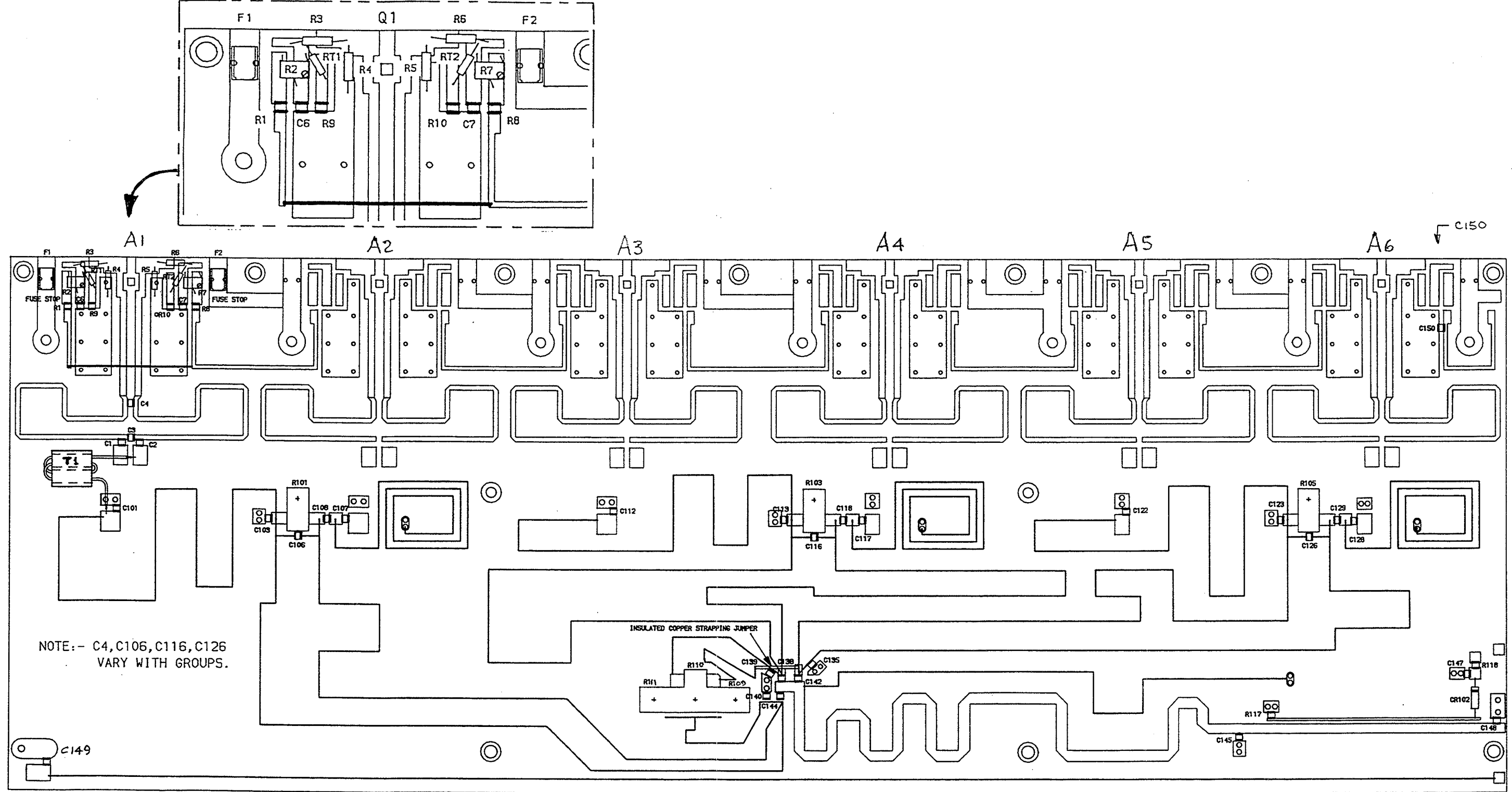


**LB 1.5 kW RF MODULE ASSEMBLY DIAGRAM,**  
**Ref Dwg: 40D1493 sht 1 rev 0,**

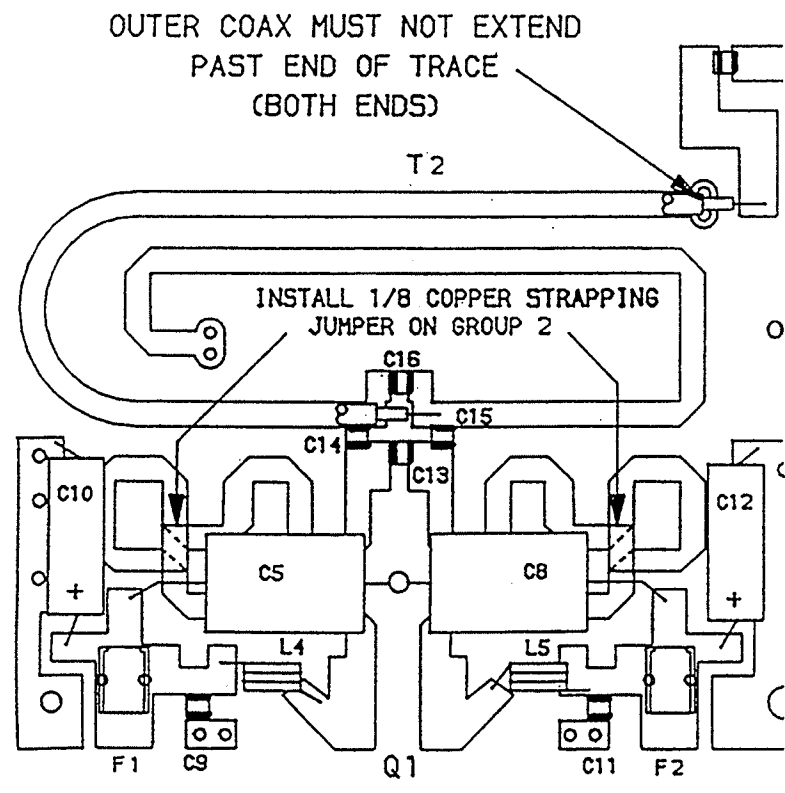


C#	CH. 2-4	CH. 5-6
C105	33pf	22pf
C106	33pf	22pf
C115	33pf	22pf
C116	33pf	22pf
C125	33pf	22pf
C126	33pf	22pf

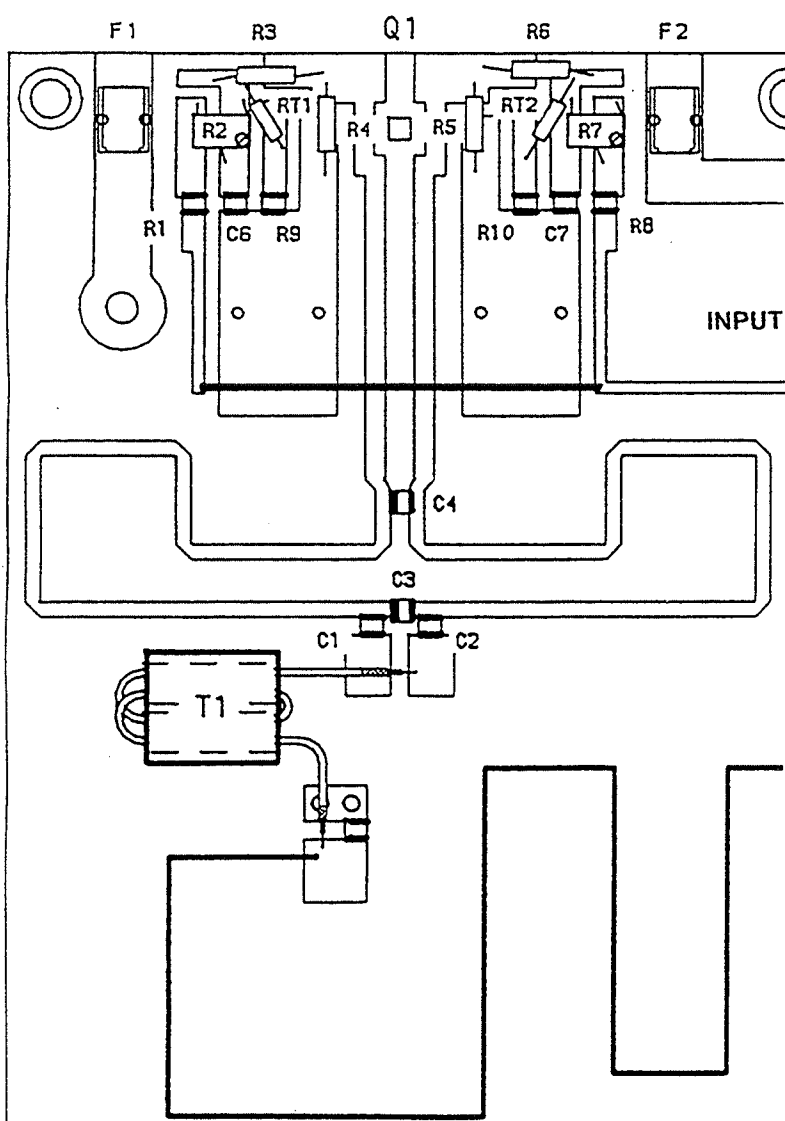
LB 1.5 kW RF MODULE WIRING DIAGRAM,  
Ref Dwg: 30C1307 sht 1 rev 2,



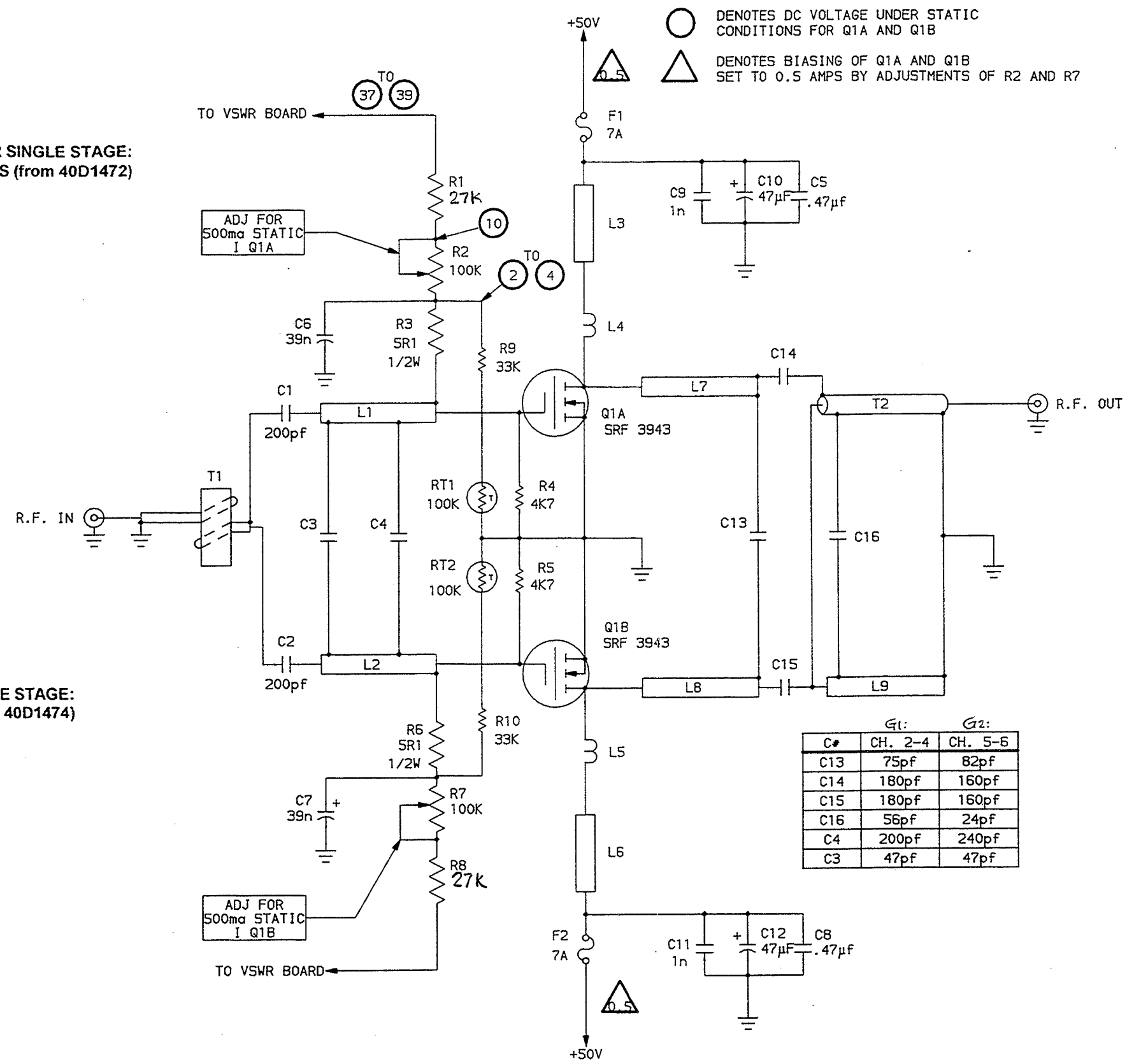
**LB 1.5 kW RF MODULE INPUT BOARD ASSEMBLY DIAGRAM,**  
 Ref Dwg: 40D1474 sht 1 rev 3.2,



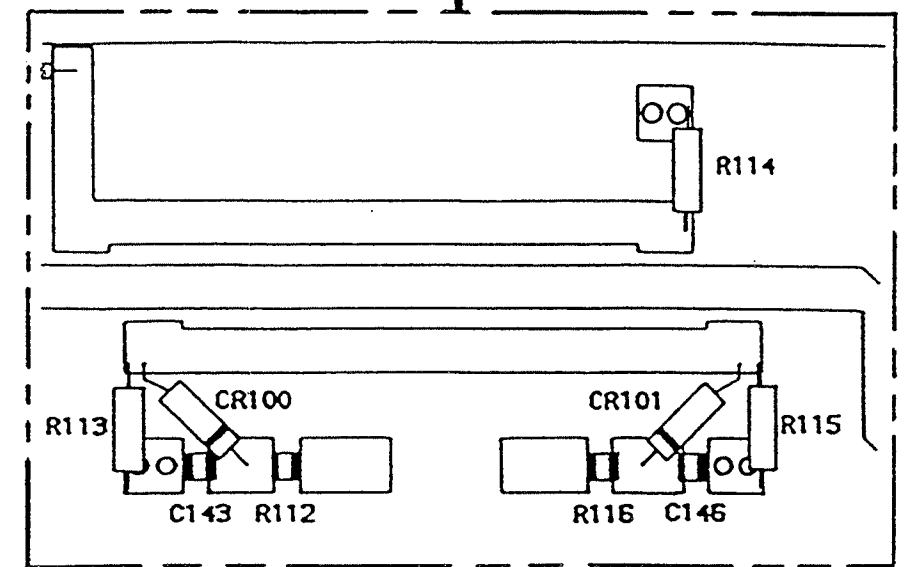
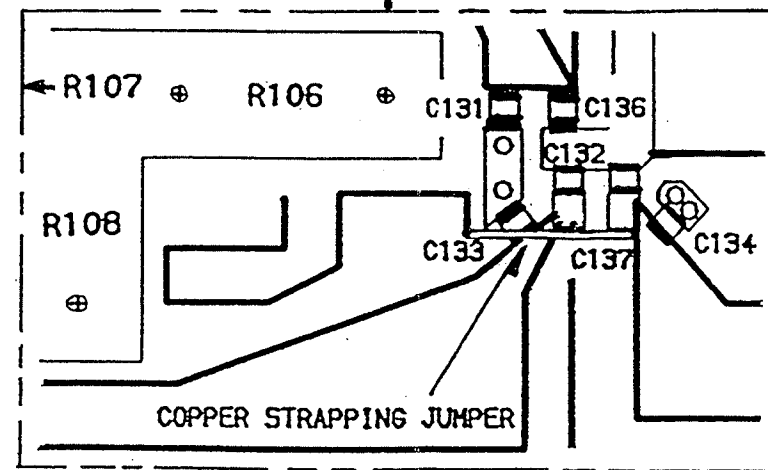
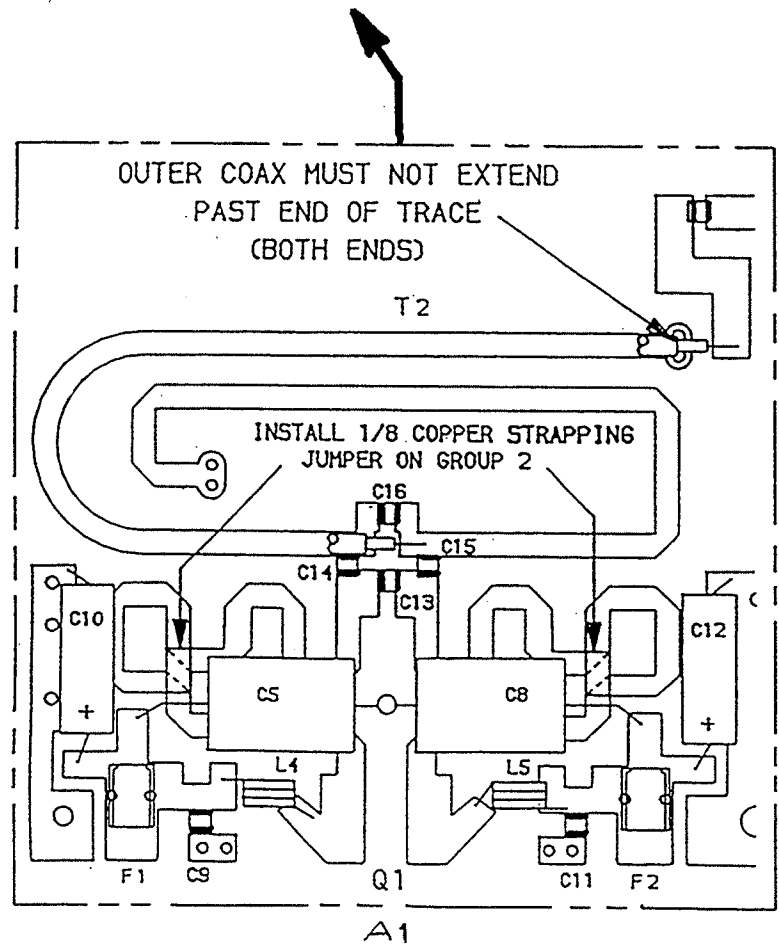
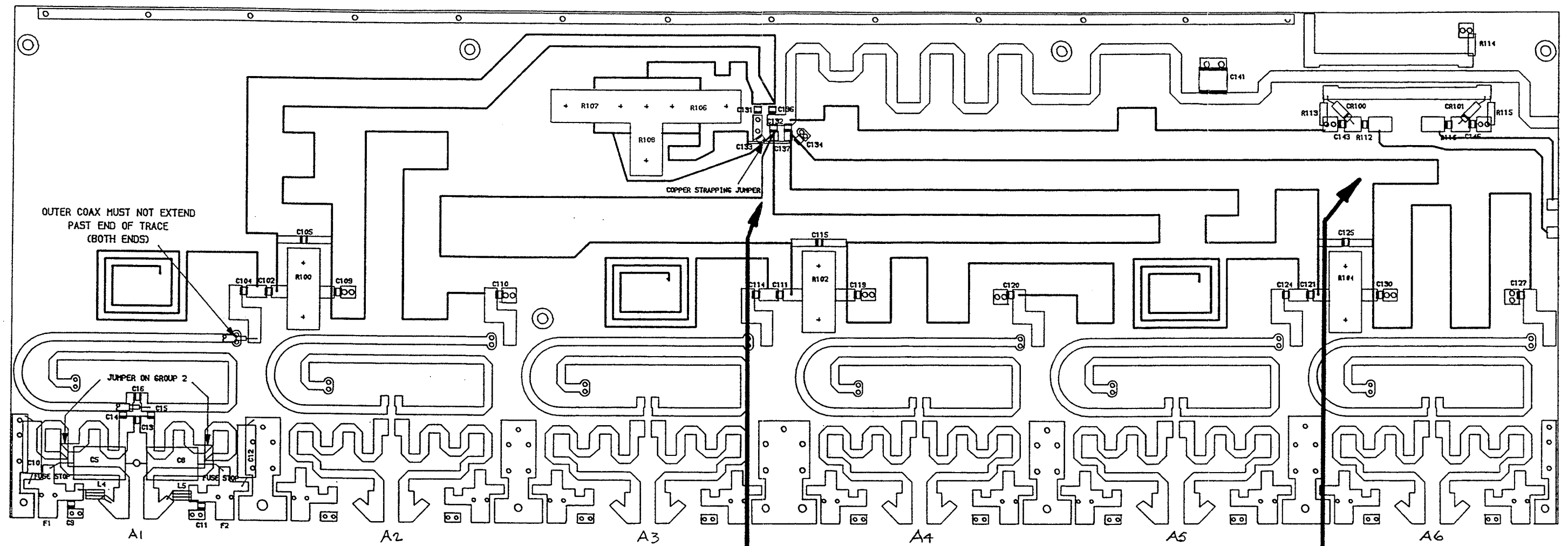
LB AMPLIFIER SINGLE STAGE:  
OUTPUT COMPONENTS (from 40D1472)



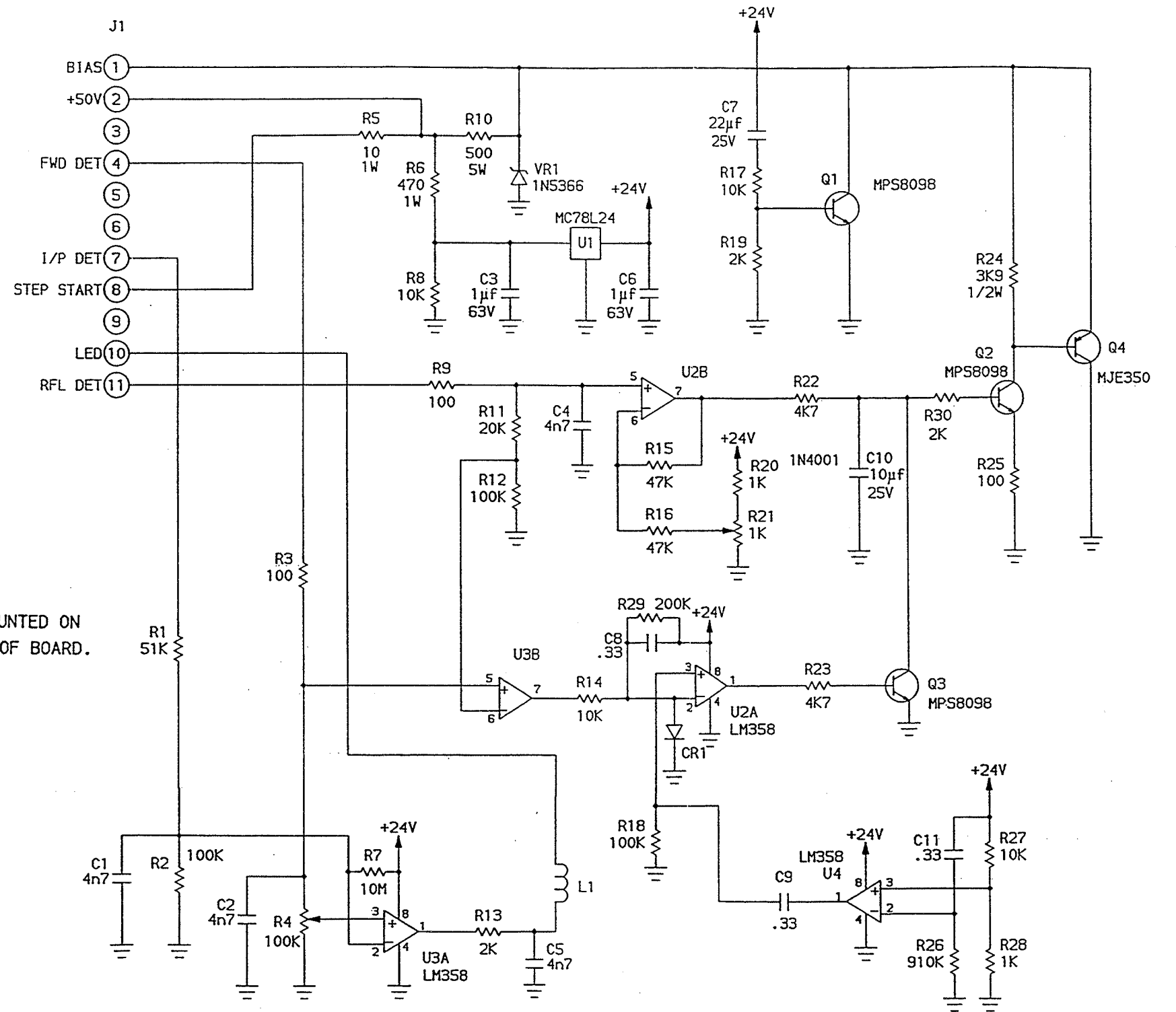
LB AMPLIFIER SINGLE STAGE:  
INPUT COMPONENTS (from 40D1474)



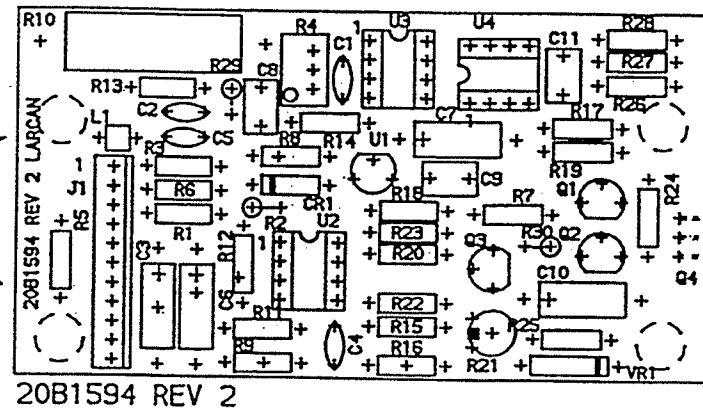
LB 1.5 kW RF MODULE INDIVIDUAL AMPLIFIER SCHEMATIC,  
Ref Dwg: 30C1306 sht 1 rev 5,



LB 1.5 kW RF MODULE OUTPUT BOARD ASSEMBLY DIAGRAM,  
Ref Dwg: 40D1472 sht 1 rev 4,



SOLDER THESE 2 SPACERS  
UNDERSIDE ONLY.  
DO NOT SOLDER  
OTHER 2 SPACERS.



NOTE-Q4 MOUNTED ON  
UNDERSIDE OF BOARD.

**RF MODULE OUTPUT VSWR CONTROL BOARD:**  
**Assembly Ref Dwg: 20B1594 sht 1 rev 2,**  
**Schematic Ref Dwg: 30C1418 sht 1 rev 6,**