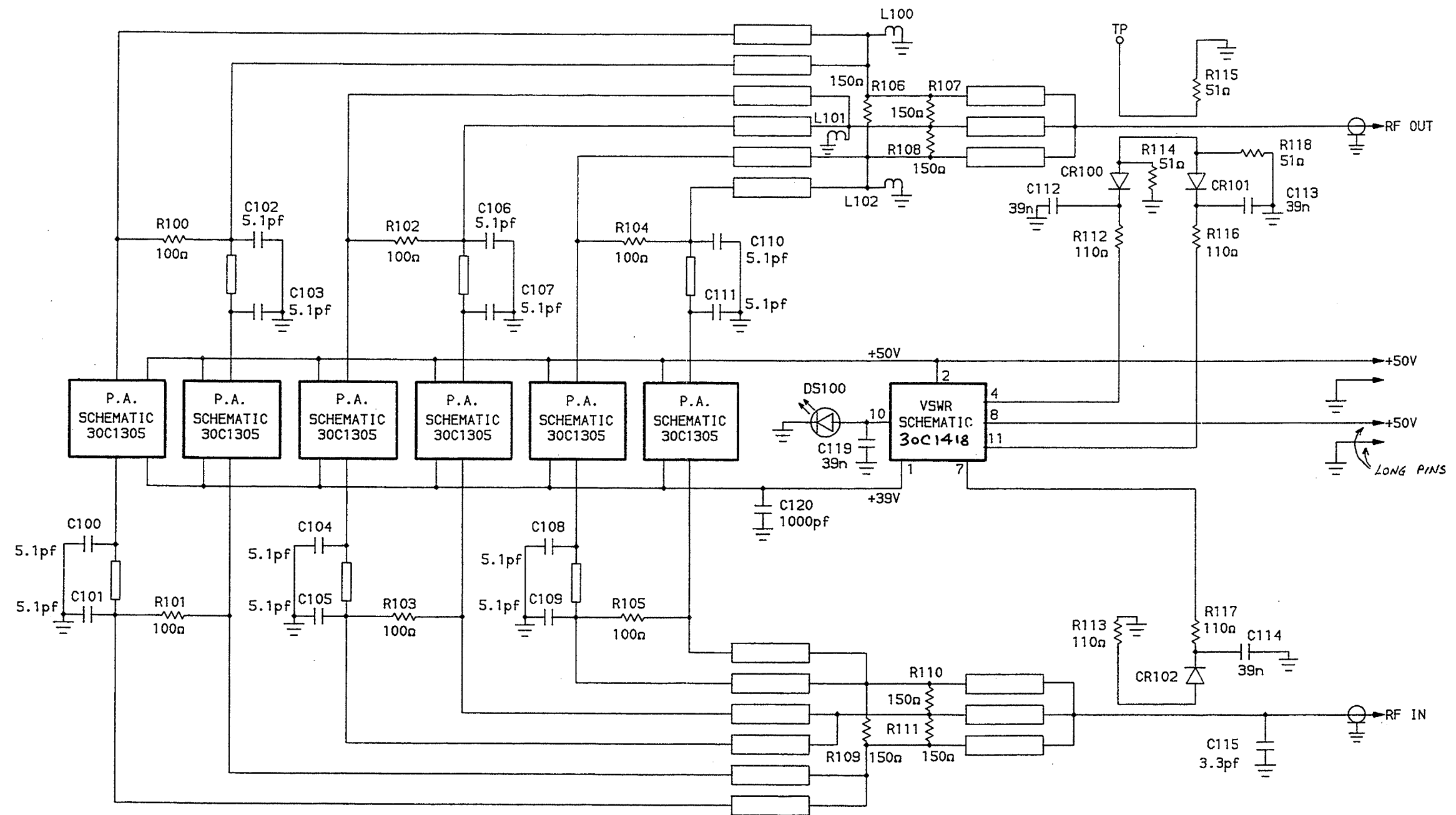
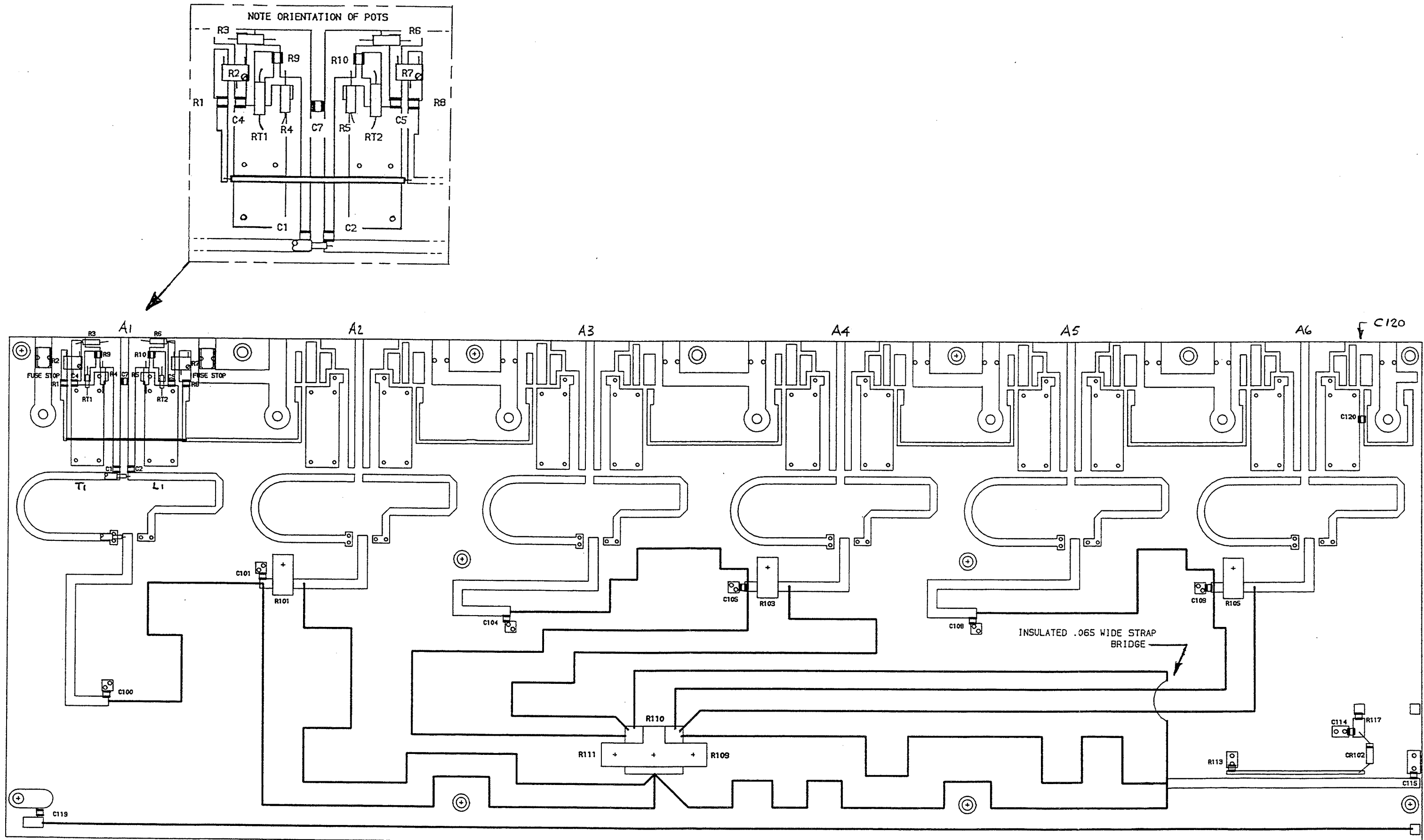


HB 1.5 kW RF MODULE ASSEMBLY DIAGRAM,
 Ref Dwg: 40D1493 sht 2 rev 0,

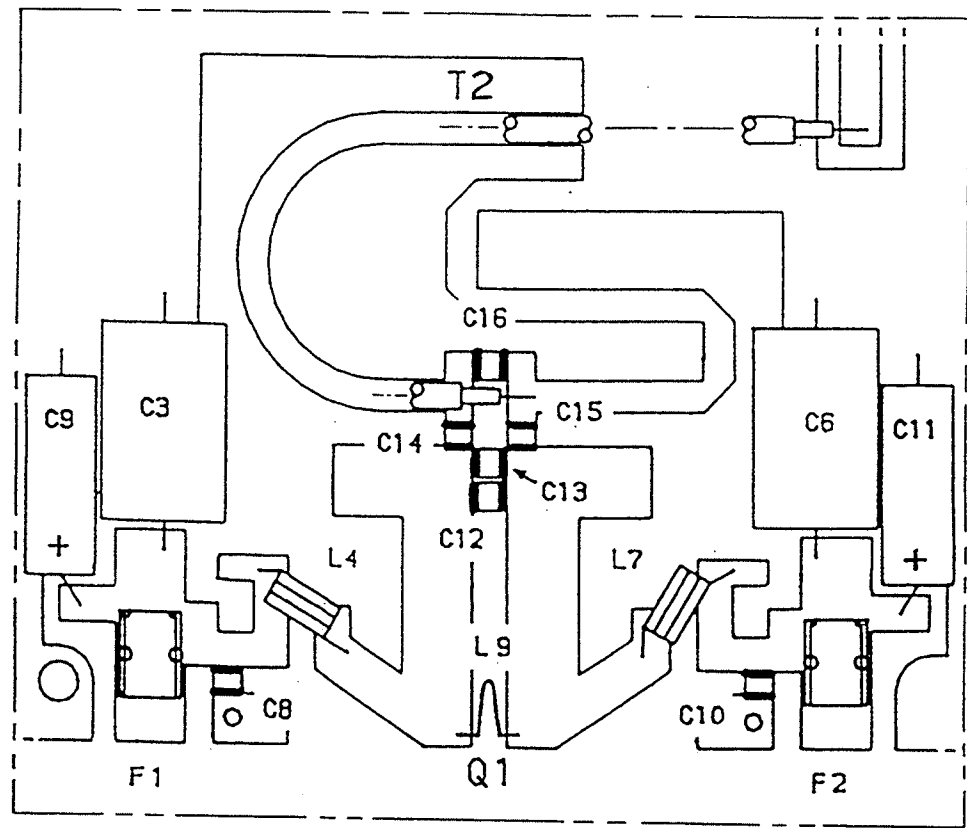


HB 1.5 kW RF MODULE WIRING DIAGRAM,
Ref Dwg: 30C1302 sht 1 rev 1,

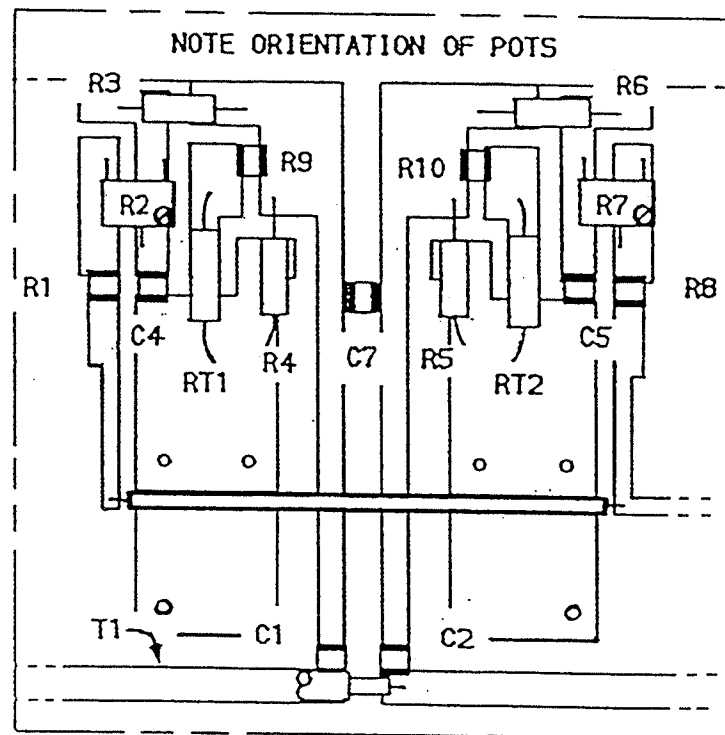


HB 1.5 KW RF MODULE INPUT BOARD ASSEMBLY DIAGRAM,
 Ref Dwg: 40D1469 sht 1 rev 7.2,

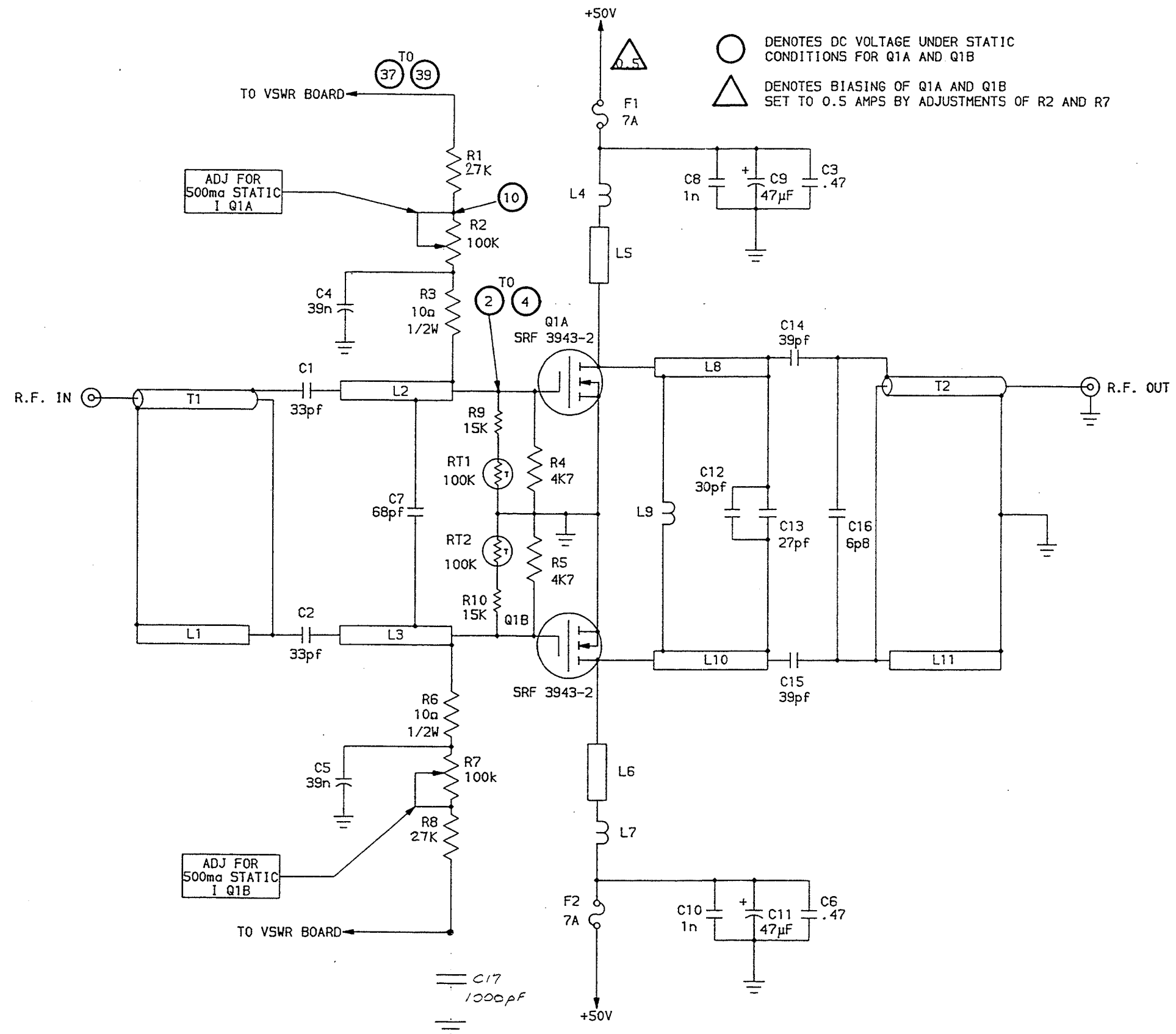
K9



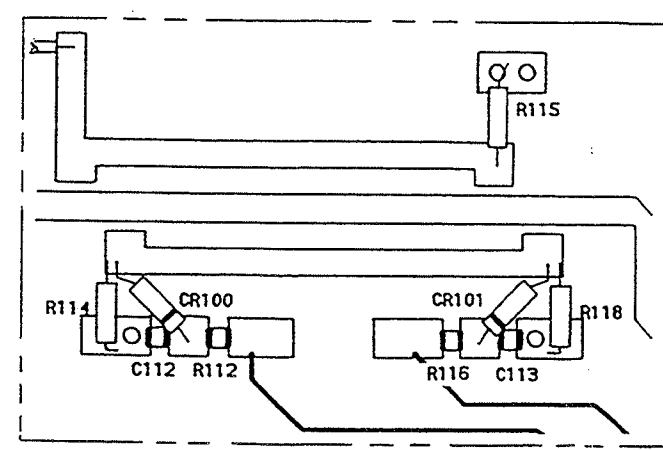
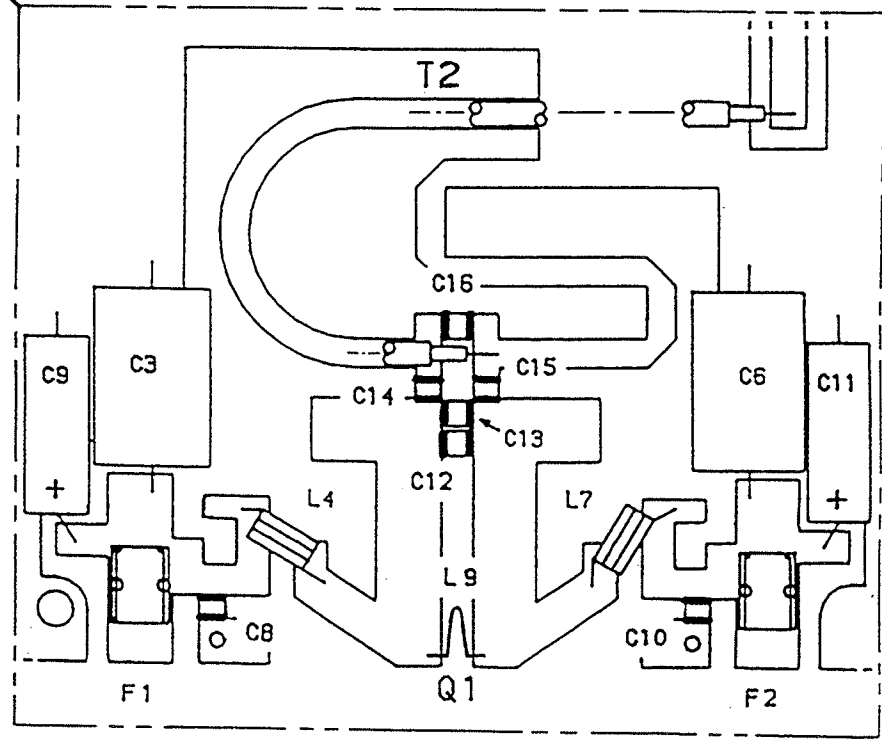
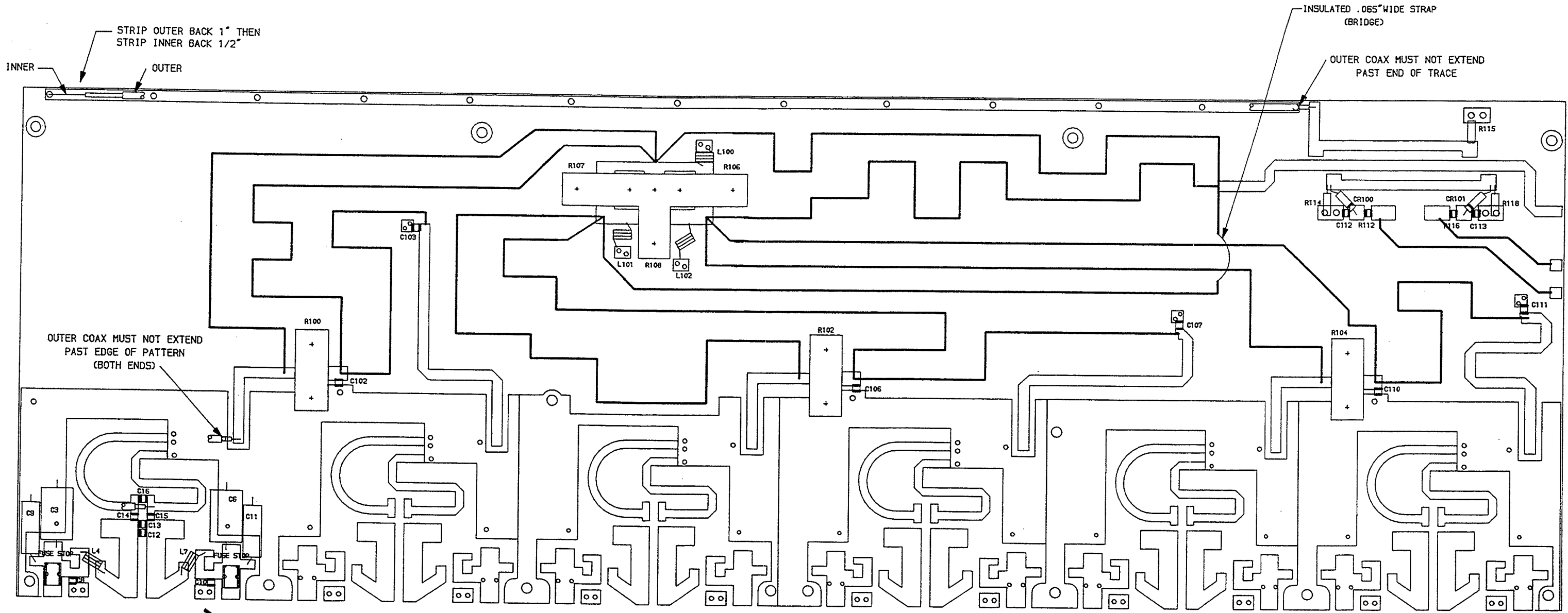
HB AMPLIFIER SINGLE STAGE:
OUTPUT COMPONENTS (from 40D1468)



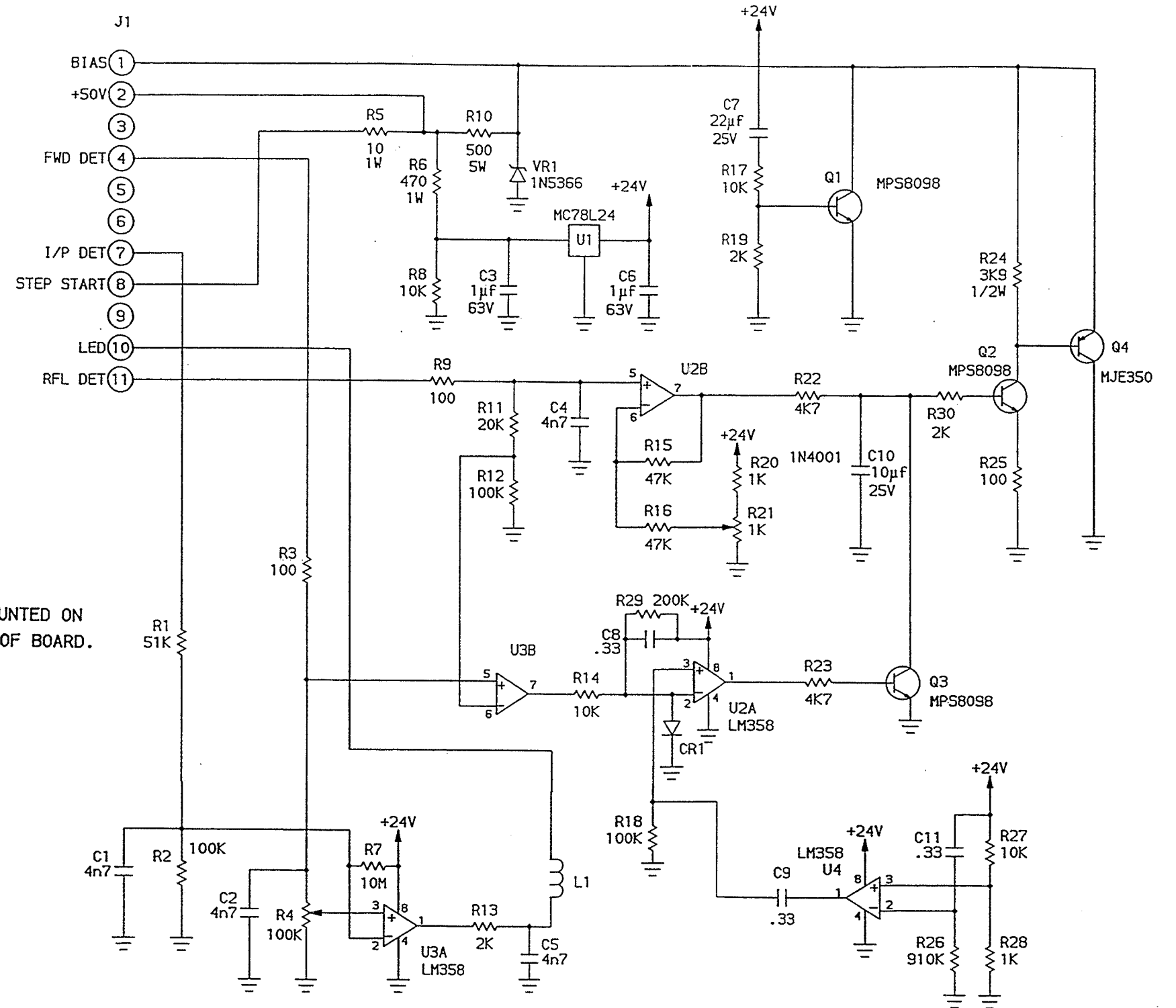
HB AMPLIFIER SINGLE STAGE:
INPUT COMPONENTS (from 40D1469)



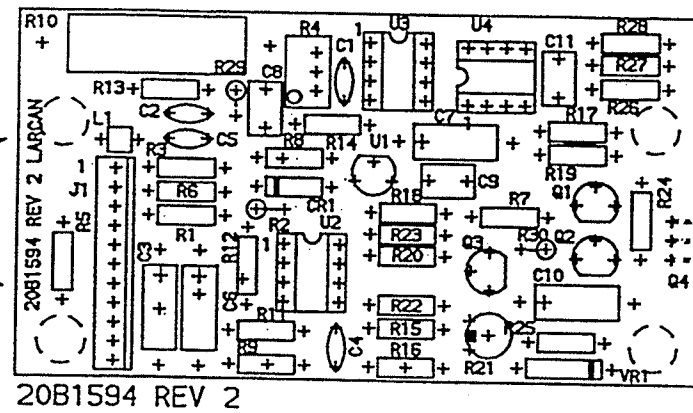
HB 1.5 kW RF MODULE INDIVIDUAL AMPLIFIER SCHEMATIC,
Ref Dwg: 30C1305 sht 1 rev 7,



HB 1.5 kW RF MODULE OUTPUT BOARD ASSEMBLY DIAGRAM,
Ref Dwg: 40D1468 sht 1 rev 6,



SOLDER THESE 2 SPACERS
UNDERSIDE ONLY.
DO NOT SOLDER
OTHER 2 SPACERS.



NOTE-Q4 MOUNTED ON
UNDERSIDE OF BOARD.

RF MODULE OUTPUT VSWR CONTROL BOARD:
Assembly Ref Dwg: 20B1594 sht 1 rev 2,
Schematic Ref Dwg: 30C1418 sht 1 rev 6,